


Sectional View

The **Sectional View** command is designed to aid the construction of Sections. This is accomplished by using **AutoCAD's clipping planes**. Only one clipping plane can exist per viewport.

The **Sectional View** command is accessed by one of the following methods:

From the toolbar **Select** 

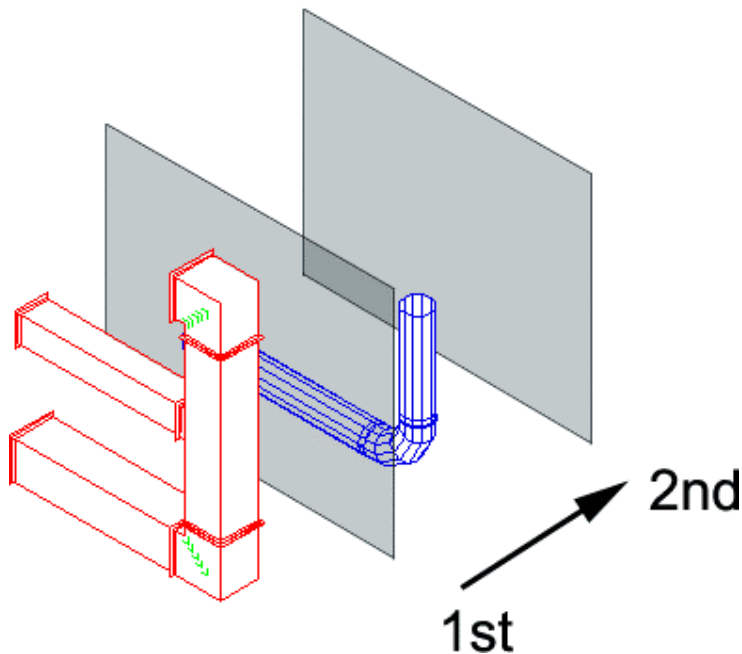
At the **command line** enter **Sectional**

Shift Right Click menu **CadDuct Solids BSS > Create Sectional View**

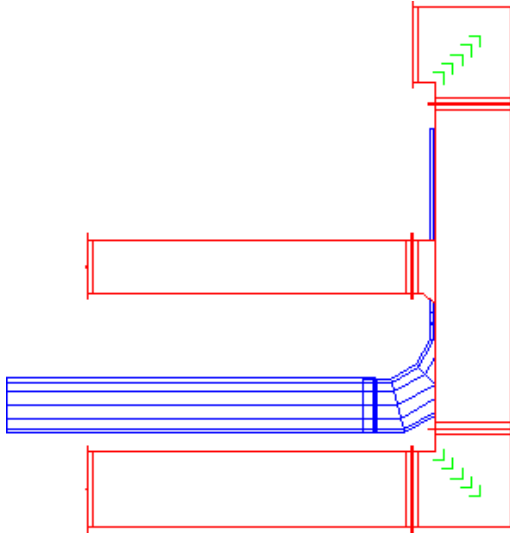
Procedure

At its basic level a **Clipping Plane** works like two opaque parallel sheets that are inserted into a drawing. Only Items between these sheets are visible, all other Items are hidden. To define these sheets it is necessary to define two points in the drawing.

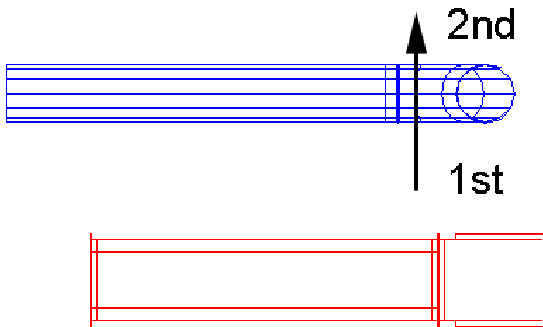
1. Create a drawing similar to the example below. In this example the Sectional View is needed to reveal the blue Items from behind the red.



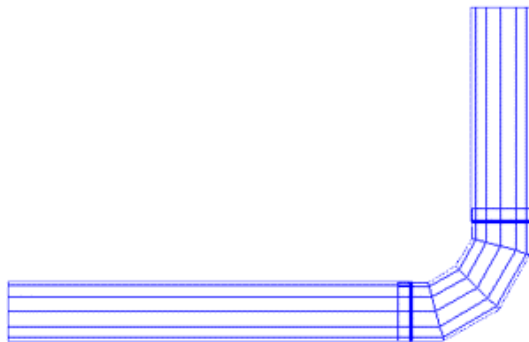
2. Because it is necessary to select a point between the red and blue Items the drawing will need to be rotated. This can be done using the standard AutoCAD view commands.



3. Click the **Create Sectional View** icon. It is now necessary to specify the two points which make up the clipping planes. The points used for this example are shown in the diagram below.



4. The viewport will now change to display the Items between the clipped planes.



Note: If the Items to be clipped are perpendicular to the selected viewport and contain connectors, it is advised that the clipping plane is created to enclose the connector detail, i.e. if the plane cutting through a Rectangular Straight is in-between the connectors they will not be visible.